

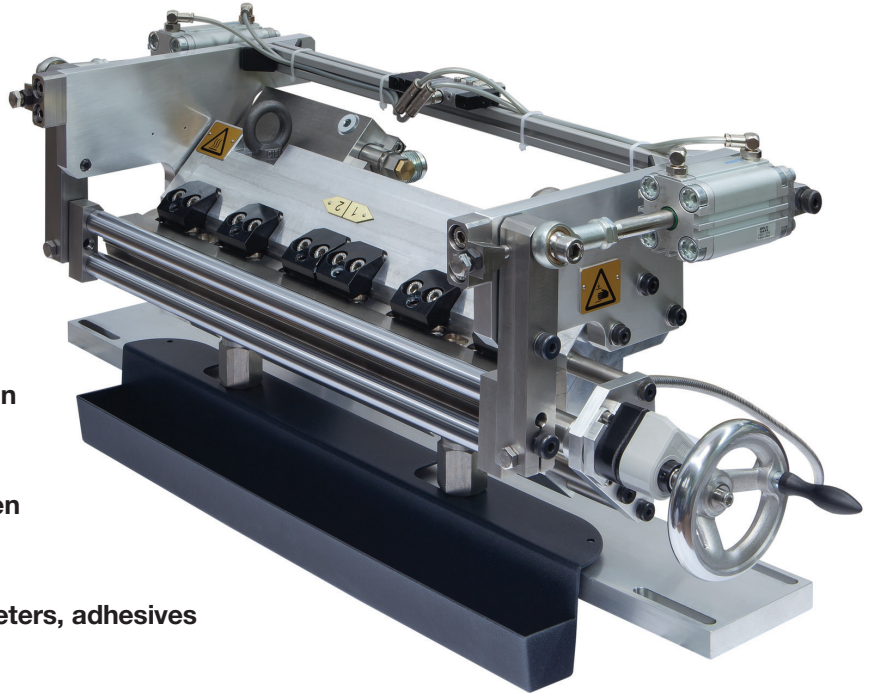
TrueCoat® FS Slot Applicators

for Profile Wrapping

Flexible slot applicator offers production flexibility and operating efficiency.

TrueCoat FS slot applicators for profile wrapping:

- Simplify installation and maintenance
- Improve consistency of adhesive application in cross web and machine directions
- Allow easy adjustment of coating width even during operation
- Support a wide range of production parameters, adhesives and substrates



TrueCoat FS-PW slot applicators combine consistent, reliable performance with application flexibility to improve product quality and production efficiency. The TrueCoat FS-PW applicator can apply a variety of adhesives in continuous operation to a wide range of substrates, including paper, veneers, foils or films. These coated substrates are then applied to profiles in many different shapes and materials for a variety of woodworking and building/construction applications.

The TrueCoat FS-PW applicator delivers a consistent application of adhesive to the web in both cross-web and machine directions. Application (add-on) weights and coating width, using a patented coating width adjustment design, can be adjusted even during production.

Several configurations are available to meet specific production requirements. Hand wheels can be positioned on either the left side or the right side for single-side adjustment configurations. Or, two hand wheels can both be located on either the left or right side for dual-width adjustment from the center of the applicator.

Benefits

- Optimized, uniform adhesive distribution yields high product quality and reduces adhesive consumption.
- Closed design protects adhesive from contaminants and moisture, particularly beneficial with reactive polyurethane (PUR) adhesives.
- Quick-exchange nozzles, filters and solenoids make maintenance faster and increase machine uptime.
- Specially-designed, compact body fit allows installation into tight spots and supports better web routing.
- High production flexibility with adjustable application (add-on) weight and coating width.
- Coating nozzle geometry with increased lifetime due to enhanced contact surface.
- Simple, no-hassle installation and set-up.

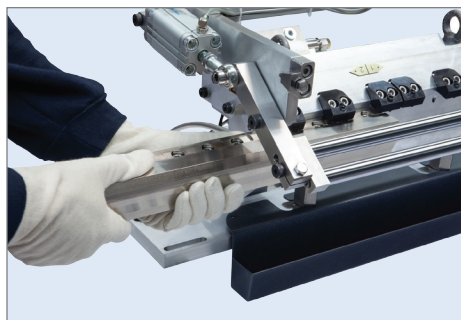


TrueCoat® FS Slot Applicators for Profile Wrapping

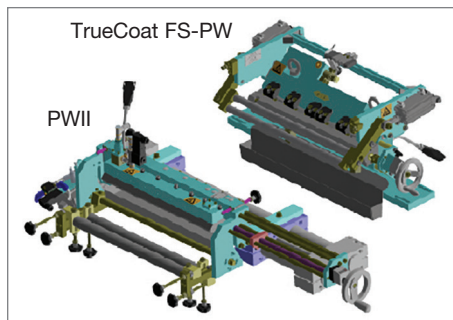
Specifications

Coating Width	15 to 350 mm (0.6 to 13.8 in) 15 to 500 mm (0.6 to 19.7 in) 100 to 700 mm (3.9 to 27.6 in)
Nozzle Slot Size	0.4 mm
Operating Air Pressure	4 to 6 bar (58 to 87 psi)
Maximum Adhesive Pressure¹	20 bar (290 psi)
Coating Speed	10 to 100 m/min (32.81 to 328.08 ft/min)
Maximum Operating Temperature	200°C (392°F)
Temperature Sensors	Ni120 or PT100
Electrical	230 VAC, 50/60 Hz, 1 phase
Degree of Protection	IP50

¹ Maximum pressure within the nozzle for this application; 100 bar is the maximum the applicator can safely handle.

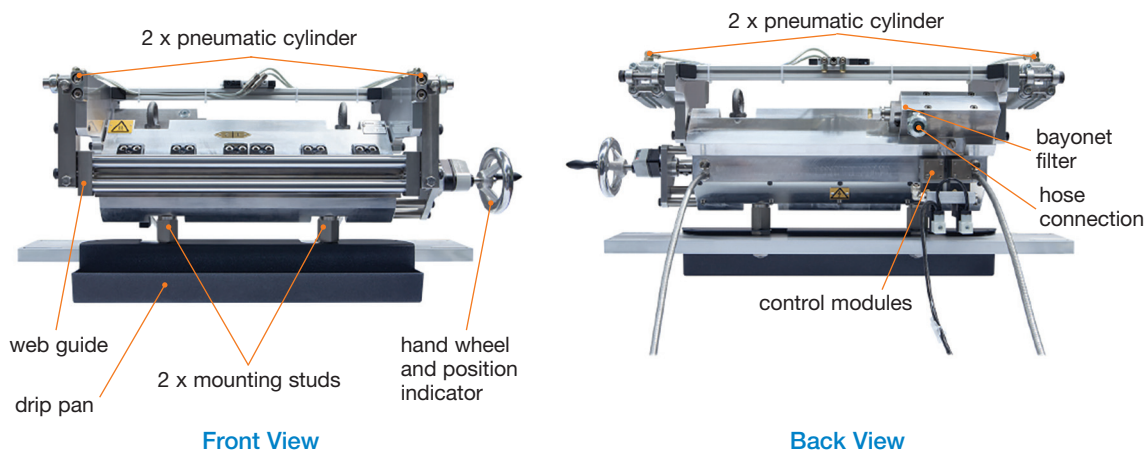


Quick-exchange nozzles simplify maintenance and replacement.



New compact TrueCoat FS-PW design vs. old PWII design

Product Details (hand wheel variant)



Front View

Back View



For more information, speak with your Nordson representative or contact your Nordson regional office.

United States

Duluth, Georgia
(800) 683-2314 **Phone**
(866) 667-3329 **Fax**

Canada

Markham, Ontario
(800) 463-3200 **Phone**
(905) 475-8821 **Fax**

Europe

Erkrath, Germany
(49) 211-9205-0 **Phone**
(49) 211-254658 **Fax**

Japan

Tokyo, Japan
(81) 3-5762-2710 **Phone**
(81) 3-5762-2717 **Fax**

Asia/Australia/ Latin America

Amherst, Ohio
(440) 985-4797 **Phone**
(440) 985-1096 **Fax**

Find us on:

